



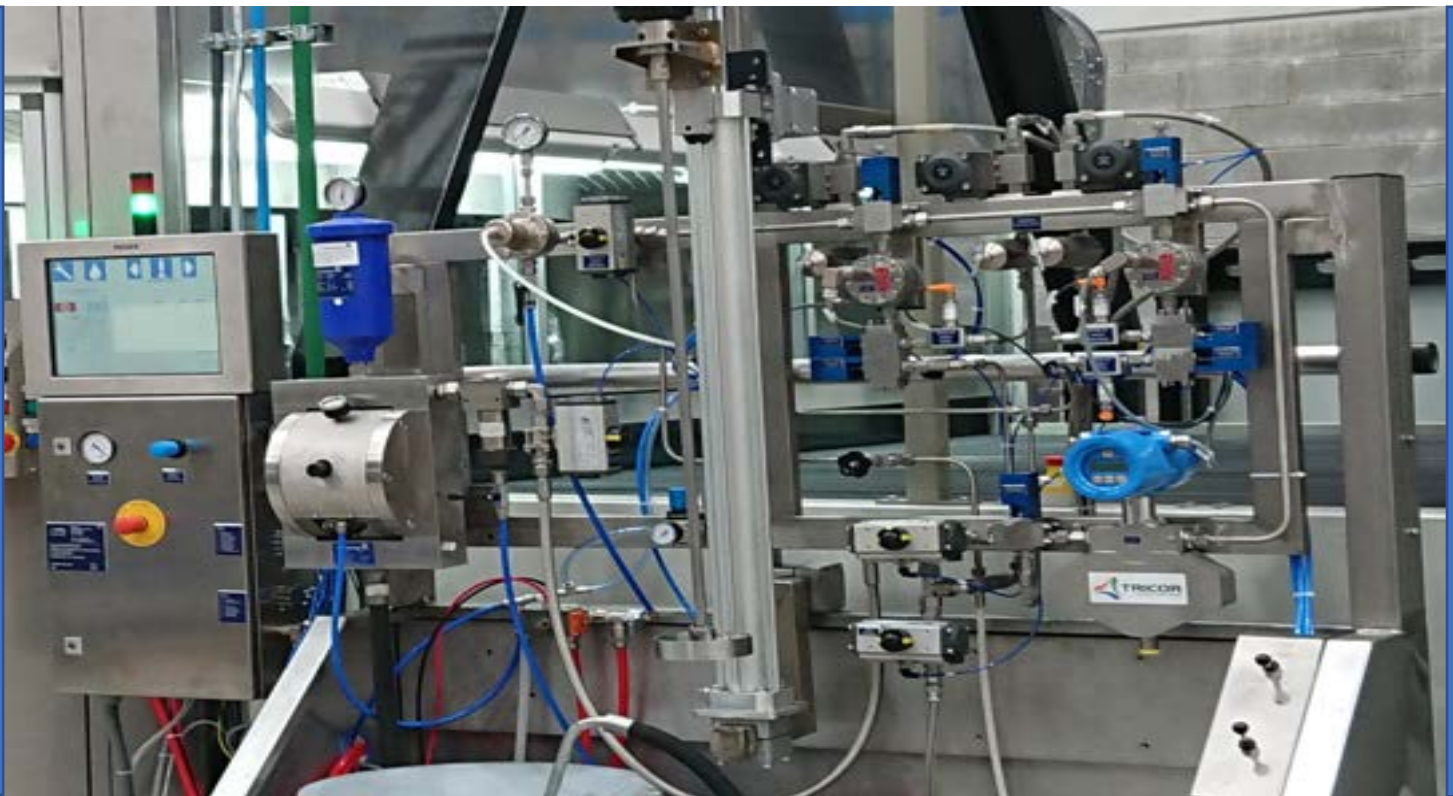
# MIXING – DOSING - BATCHING

EASY – MIX - SYSTEME



nearly each kind of application are possible  
broad spectrum of materials, including solvent borne, waterborne epoxies,  
and acid catalyzed materials

- use know how -



EASY\_MIX based of SIMATIC Technology

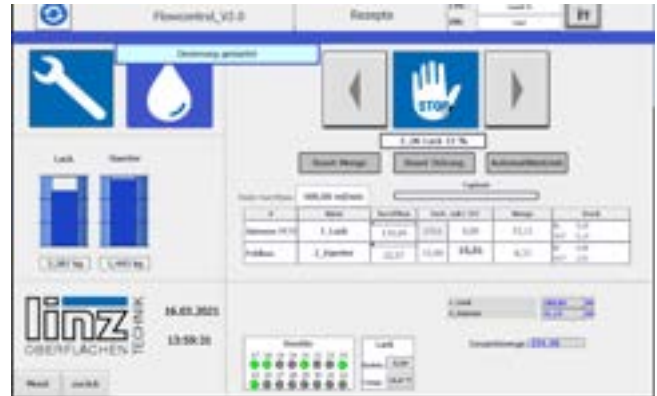
Linz-Technology



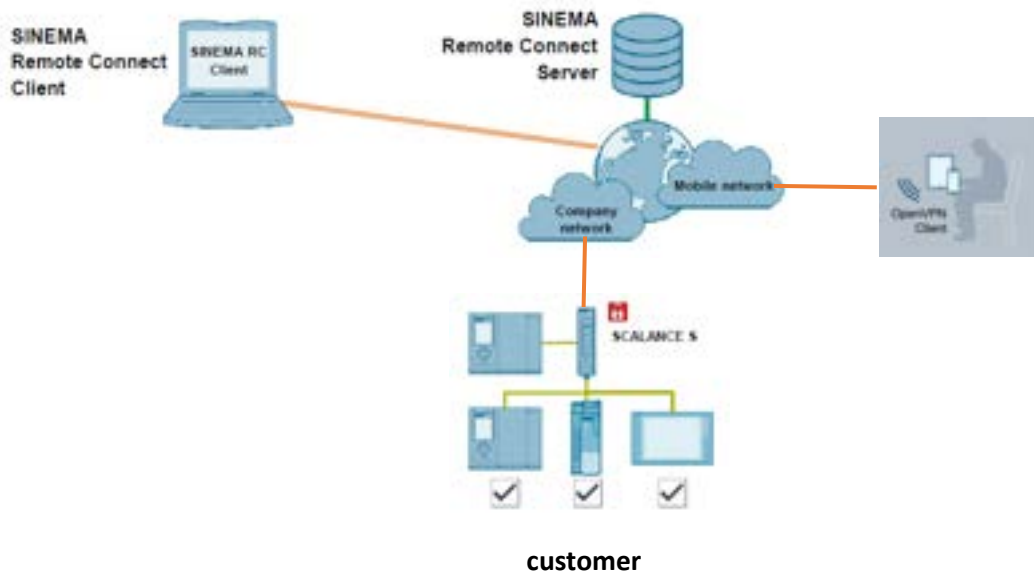
Rainer Linz Oberflächentechnik GmbH  
Linz-Strasse 1  
A-3003 Gießhübel (bei Wien)  
Phone +43 2231 65191-0  
Fax +43 2231 65193-14  
Mobil +43 664 3004704  
office@linz-gmbh.com  
www.linz-gmbh.com

Vertriebsbüro Deutschland  
Hauptstrasse 47/2  
D-74229 Oedheim  
Phone +49 7141 27183016  
sales.de@linz-gmbh.com

**Easy Mix system** based of SIMATIC TECHNOLOGY  
operating by Touch or using PN/PN coupler  
and operate from your PLC



support from beginning  
**SERVICE – UPDATE BY VPN REMOTE CONTROL**



**EASY MIX P15 3 component system  
Airless / Airmix**



**Gun cleaner – easy clean**





## TECHNICAL EQUIPMENT, OPTIONS

- **Software:** FlowControl useable for each application configuration
- **operating:** 1 – 4 components
- **pressure:** 1-250 bar
- **flow measurement:** Coriolis flowmeter / Gear flowmeter / inductive flowmeter
- **supply system:** piston pump, diaphragm pump, eccentric pump, piston dispenser
- **mixing system:** injection system, device control
- **ratio:** 0,1:1 - 1 : 1
- **accuracy:** depending from equipment and material 0,5 % - xxxx
  
- the use of valves and assemblies will be adapted to customer requirements

## MEASURING DEVICES flow rate adaptable to your application (0,01 – xxx kg/min.)

- Coriolis flowmeter
- Inductive flowmeter
  
  
- Gear flowmeter

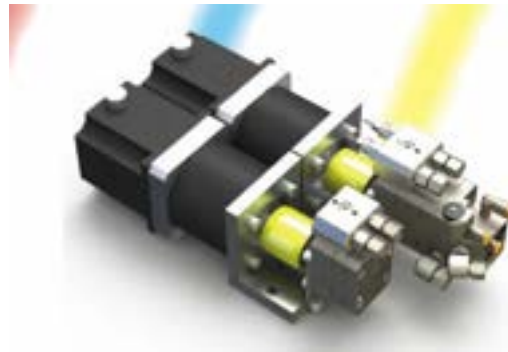


## dispense devices

### gear pumps:

different types and flowrates, adapted to your application

- ADLC coated (easy cleaning)
- TITAN coated (abrasive products)
- stainless steel
- different types of gears
- servo drive management



### **eccentric pumps:**

different types and flowrates, adapted to your application

- stainless steel
- different stators



## 2 component Airless intern mix system ALP

(for products with short pot life time)

airless hand gun

airless automatic gun



static Mixer inside the gun

- ALP gun system in combination with our FlowControl system
- max. high pressure 150 bar
- standard airless nozzle tips
- gun triggering by capacitive sensor
- A + B component can be activate in single mode



## supply pumps esay mix

### diaphragm pumps:

different types and flowrates, adapted to your application



- pneumatic pump, stainless steel
- sizes: G 3/8" - G 1/2" - G 1"

### piston pumps:

different types and flowrates, adapted to your application



- classic piston pump systems
- bellows pumps for isocyanate

**different**

### pressure tanks:

different sizes and quality, with stirrer and level control



**spray application 2 component water-based glue**

automatic spray



manual spray



piston dosing



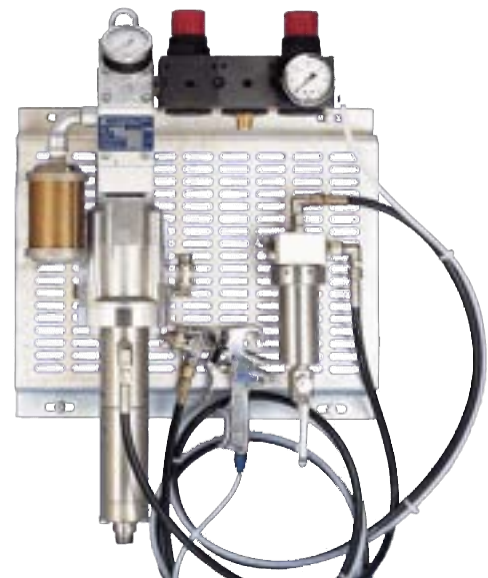


**spray application Airless electrostatic 2 component**



automatic gun flush station after pot life

air assistant spray system



**spray application automatic HVLP - 3 component**

**EASY MIX (recipe scanning)**



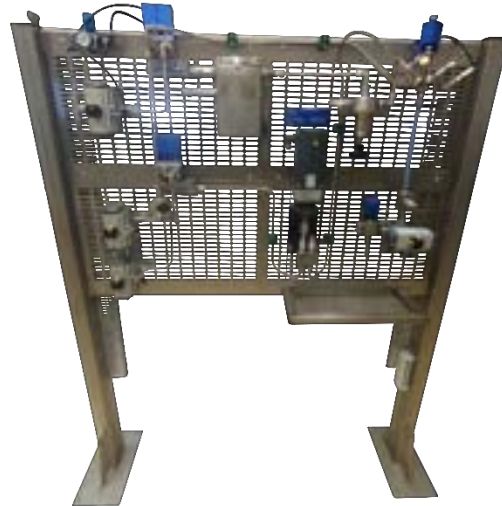
**dosing by gear pumps, measuring by coriolis system**



**supply center diaphragm pumps  
agitator, level control**



**spray application automatic HVLP – 2 component**  
**plastic parts**



water based 2 component system





**metering and dispensing, single-component or multi-component materials**

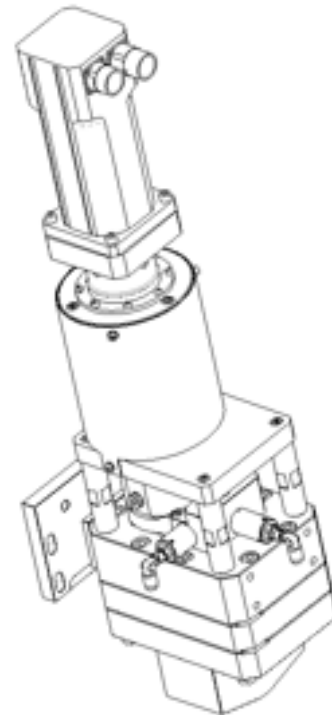
1 component glue dosing by gear pump

glue dosing line, controlled by Siemens S7



glue line

dosing pump 50 cc





**application 2 component PU glue**

2 component PU glue gun MP\_10H



2 component PU glu automatic gun MP\_10A



**dosing station for low viscosity material**

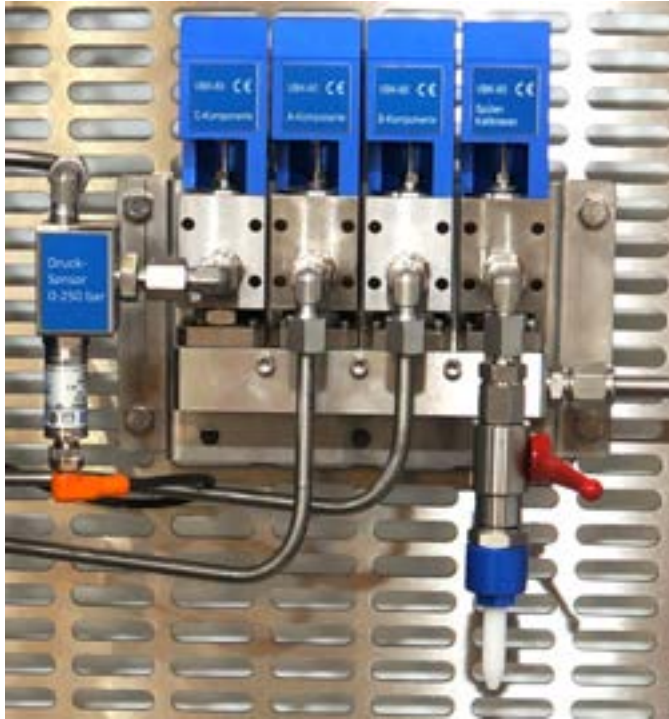


## 2 component glue dosing - roll coater application



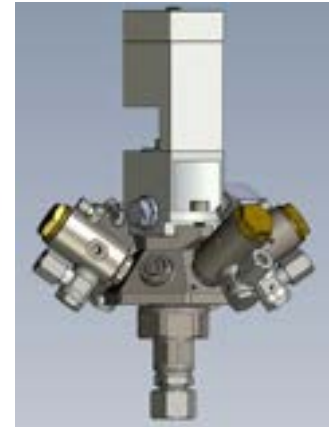
## Equipment for mixing and dosing applications

change over valves high pressure Serie RIB  
different combination possible

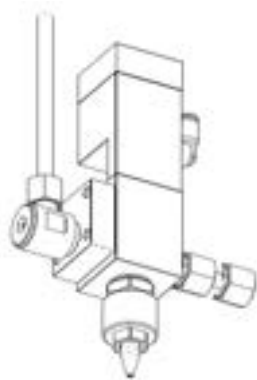


**injection / dosing valves**  
with different nozzle equipment

**Multi-mixing head MB-70**



**multi mixing head MP-07**  
7 Color Ports



different nozzle sizes  
and design

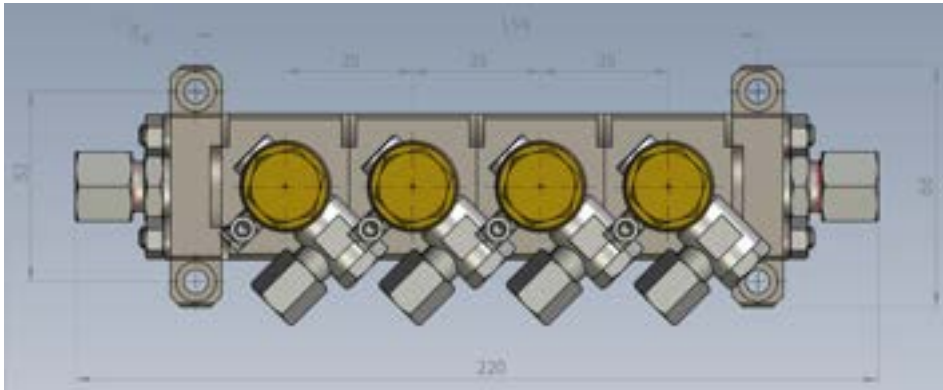


different static mixer





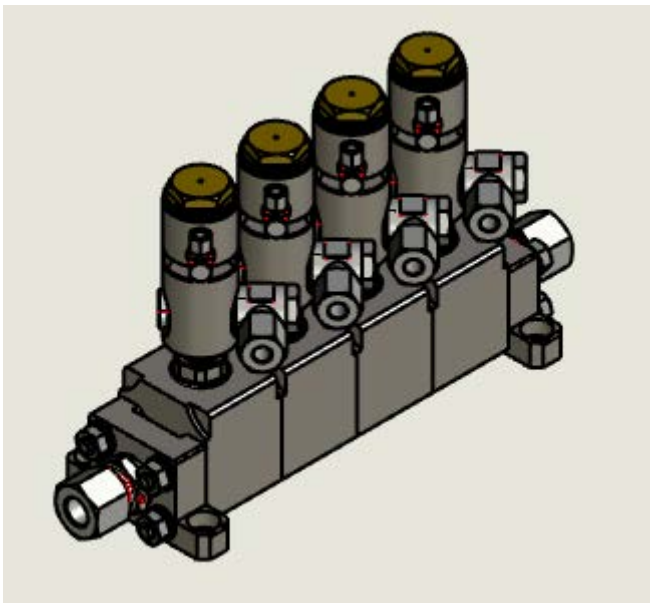
**mixing bloc VBK-10  
(different combination possible)  
single channel bloc system**



→ static mixer

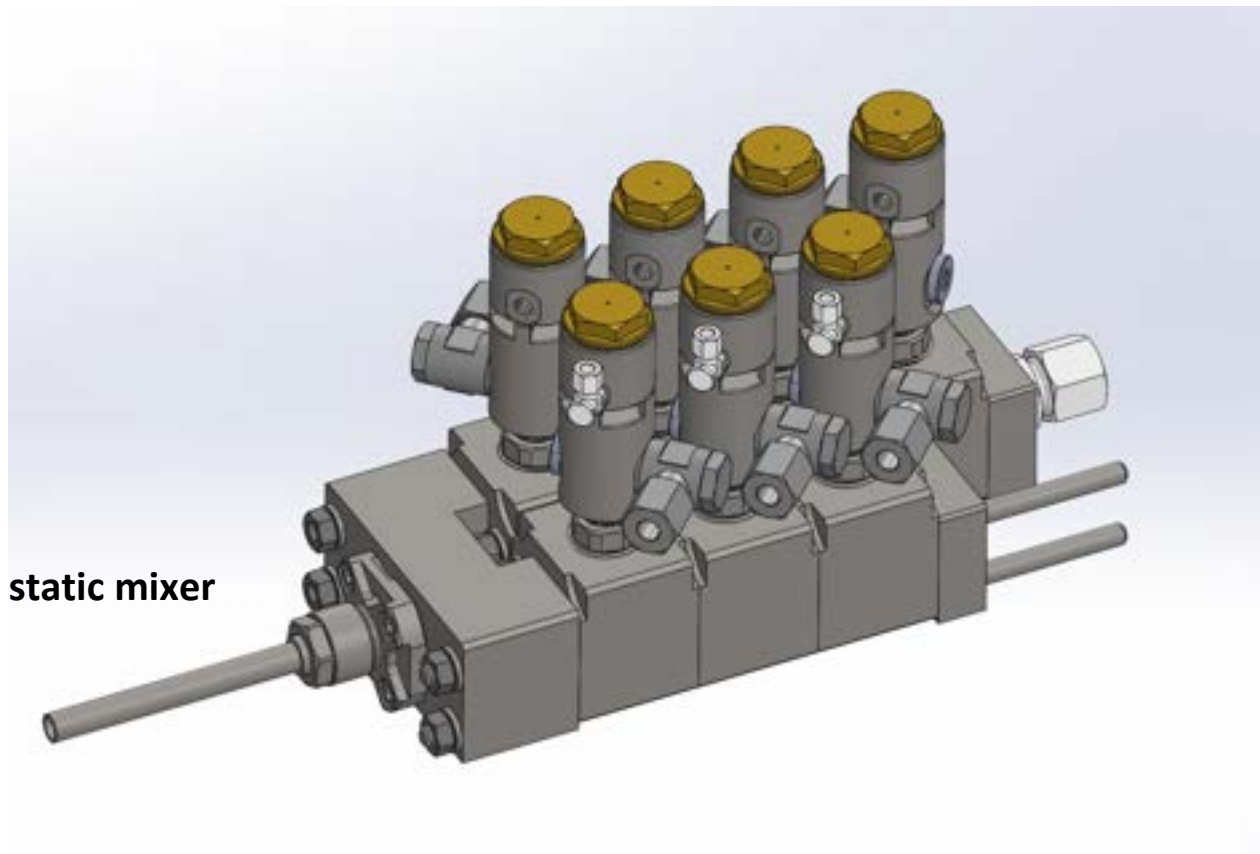
**2 C mixing block (paint supply port selectable)**

- compact design and great performance
- excellent rinsing properties
- with not-return valve on the components
- selectable with solvent connection for A + B components
- material pressure max. 5 bar (depending on the valve)
- valve seats and valve needles in stainless steel or hard metal
- different valve seat diameter





**paint mixing bloc VBK-08**  
**2 channel bloc version**  
**VBK-08**



**static mixer**

**2 C mixing bloc (number of valves selectable)**

- compact design and great performance
- excellent rinsing properties
- with not-return valve on the components
- selectable with solvent connection for A + B components
- material pressure max. 5 bar (depending on the valve)
- valve seats and valve needles in stainless steel or hard metal
- different valve seat diameter



**NOTES:**

.....

.....

.....

.....

.....

.....

.....

.....

.....

.....

.....

.....

.....

.....

.....

.....

.....

.....

.....

.....

.....

